

# DYNAGATE<sup>®</sup>

▪ *Reliable* ▪ *Durable* ▪ *Economical*



## Key Release Procedure



*Slide cover to open*



*Turn key to unlock*



*Pull level to release*

*Manufactured under Europe standard*

## **DYNA 680 (KEY RELEASE)**

**POWER SAVING KEY RELEASE DC GATE OPENERS**

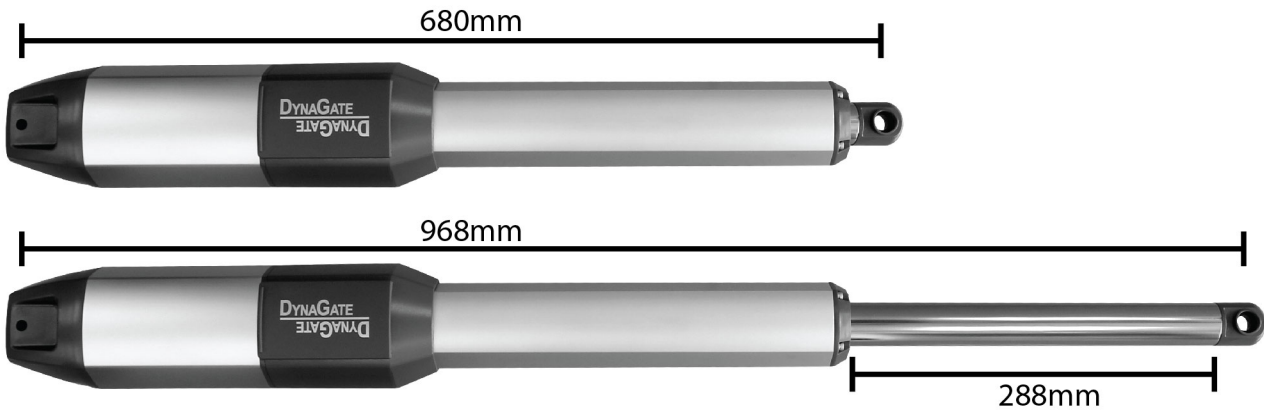
**FOR SWING AND FOLDING GATES (Up to 200 KG/ 2.1 meters per wing)**

DYNA 680 Power Saving Swing and Folding Gate Openers with back-up battery are specially designed for modern homes. Its advance electronic control board provides electronic anti-crushing feature, dual speed with soft cushion stopping and instant stop when contact with obstacles. Its Galaxy Planetary Gearbox design ensures strong and smooth movement of the gate.

# DYNAGATE®

▪ **Reliable** ▪ **Durable** ▪ **Economical**

Model: DYNA 680



Specifications for Dyna 680 arm motor	
Motor self-locking system	Key Release type
Motor	24V DC motor
Driving method	Screw driven piston
Operation voltage	24V DC ~ 12V DC
Max. thrust	1000N
Max. piston stroke	288mm
Max. piston speed	20±2mm/sec
Duty Cycle	20%
Max. weight of gate	200kg per wing
Max. length of gate	2.2 meter (7 feet)
Opening/Closing Time	≤15 seconds (24V DC)
Gearbox	Galaxy Planetary Gearbox Design
Safety clutch	By Electronic Current Sensing
Operating temperature	-20°C to +50°C
Safety barrier	Infrared sensor (optional)
Weight	4.4 kg
Specifications for control panel	
Main operating voltage	220~240V AC
Transformer output	24-12-0-12-24V AC 4Amp
Electronic controller	Microcomputer based with overload cut
Back-up battery	12V DC 7AH
Lock output	12V DC Solenoid Lockset (optional)
Door opening option	Left or Right or 2 Sides
Half-way stop	Yes
Radio receiver	
Remote controller	UHF digital PWM type

\* All specifications are subject to change without prior notice.

